

Advice for hinges:

Adjustment:

Sideways: Remove the top cover and keep this safe

Insert a 5 mm hexagon shaped key in to the bush from the top. release some pressure from the weight of the door, to ease the turn of the bush.

Lower the sash the hinge excenteric gives 1,2 mm forward

To rise the sash the hinge bush gives 1,2 mm back

Gasket pressure: can be eased duringg the above adjustment.

*Finally make sure the lines in the excenteric bush lines up with the 2 lines in the sash hinge part before the topcap is fitted.
Failing not to fit the topcap the hinge adjustment has no effect.
The topcap lock the bush and hunge part together.*

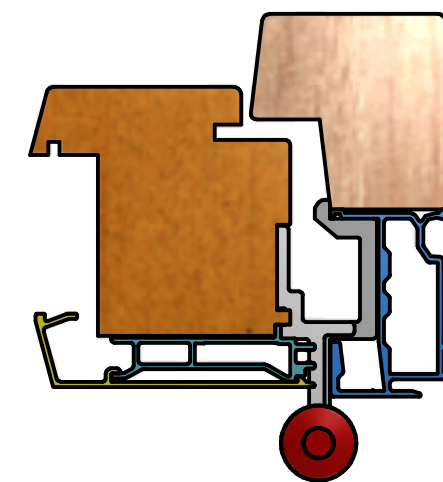
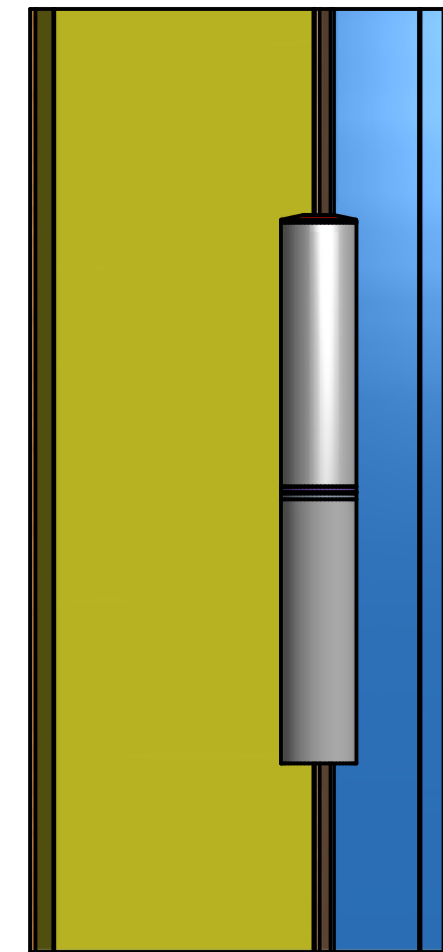
To lift the sash: Use a 6 mm hexagon key in to the height adjustment


screw at the hinge bottom. lift +4 mm , lower 0,0 mm

To ease the height adjustment, lift the sash by the use of lifting device, or leever system

Maintanence: The hinges are not maintenance free. Clean the surface minimum once a year. if the hinges are fitted closer than 10 KM from the shore, clean ofter. Every month if right on the shore.

Lubrication: The hinges are made from material which do not require lubrication. but if a squiking noise are heard, its not a fault, or form any right for complaint or garantie replacement. but can reduced or complete illiminated by the usage of a none asid librication, e.g. vaseline, or any other grease fit for usage within the food industri. Even butter or Margarine can be used



 MILA MILA Beslag A/S H C Ørsteds Vej DK-3000 Helsingør Phone: +45 49139900	D			Scale:	Ref.: Adjustment and maintenance instruction for WestCoast Hinges	
	C					
	B			Accept:	Name:	Date: 14-12-2015
	A				jec	
	Modification:	Date:	Name:	Date:	Replaces:	NO: 12503 maint
COPYRIGHT: This Drawing is the property of MILA Beslag A/S. All rights reserved. Subject to technical changes.						